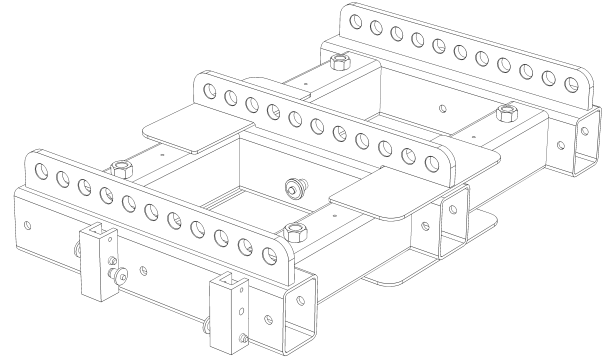


## VTX-V20-AF | Array Frame

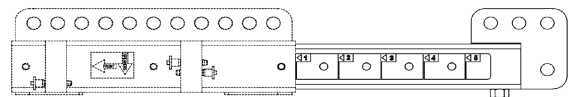
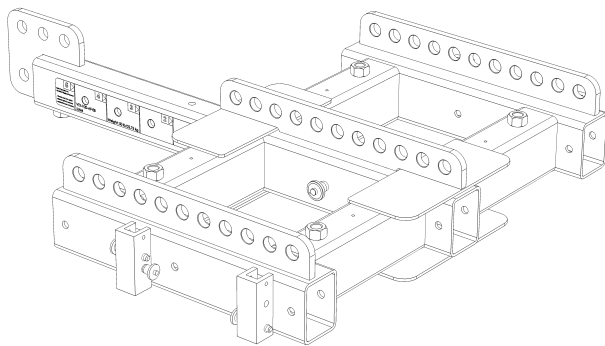
### Features:

- Compatible with VTX V20 and VTX S25
- 11 pick points available for single point suspension
- Flexible front-to-back or side-by-side pick point options
- Supports up to 24 cabinets (array geometry dependent)
- Pick point shackle size: 5/8" or 3/4"



### Description:

Array Frame used for suspending or ground stacking VTX V20 or VTX S25 enclosures. Includes height-adjustable leveling feet, optional extension bar available.

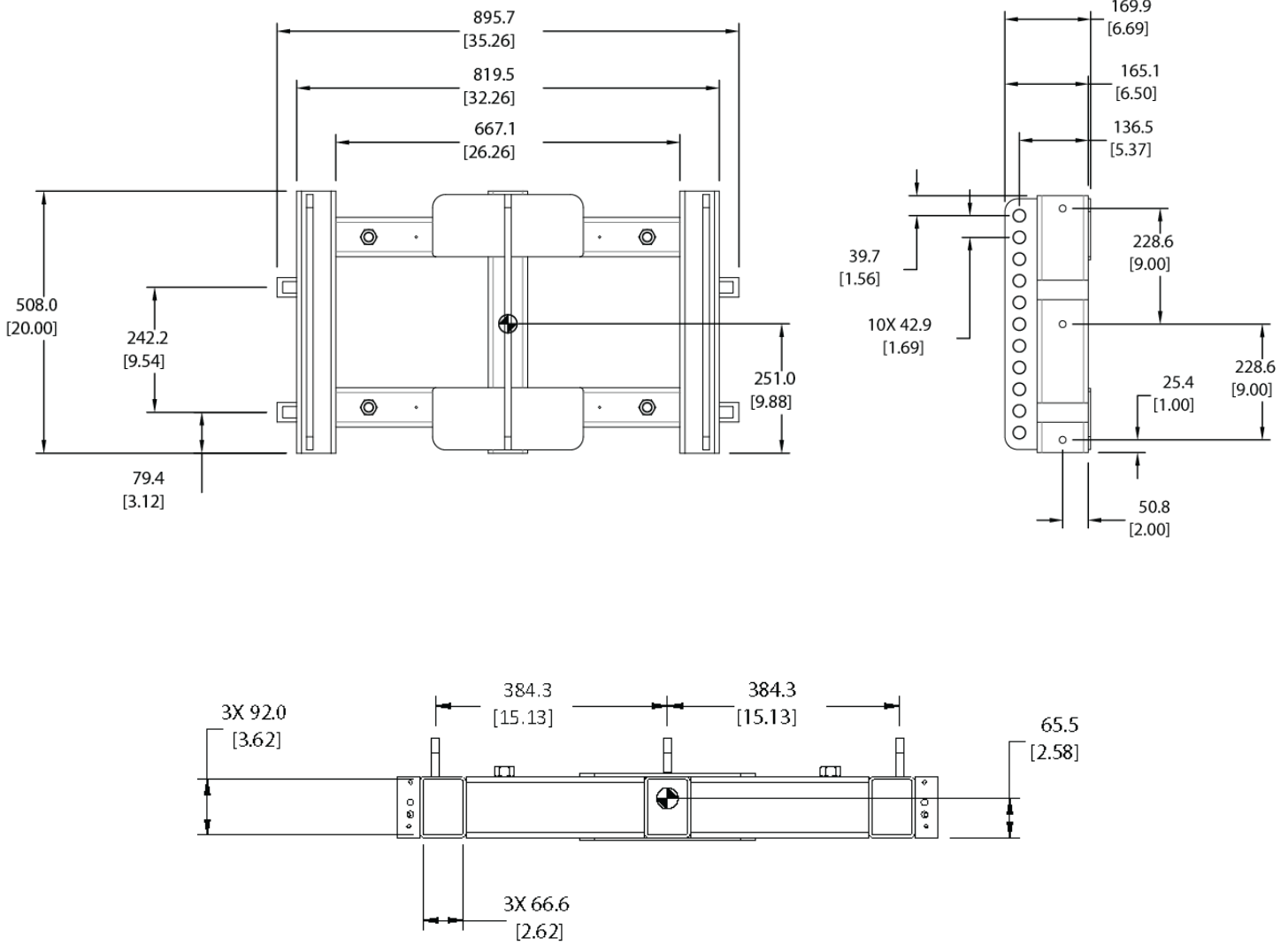


Picture: VTX-V20-AF with VTX-V20-AF-EB

### Included:

- VTX-V20-AF Array Frame
- 4 x adjustable feet for ground stacking applications

## Dimensions:



⊕ = Center of Gravity (CG)

## Specifications:

Specifications:	
Material	Steel
Weight	50 Kg (110 lbs)
Finish	Black Powdercoat